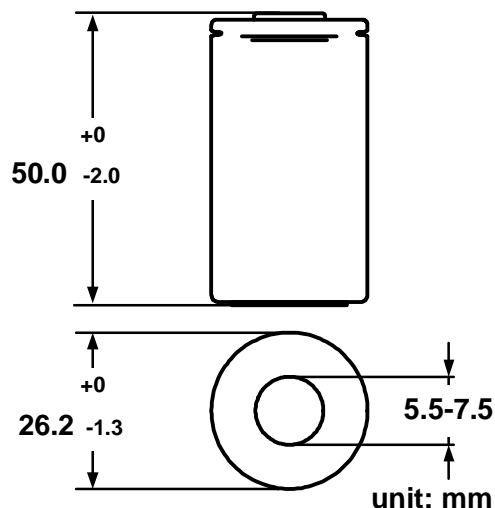
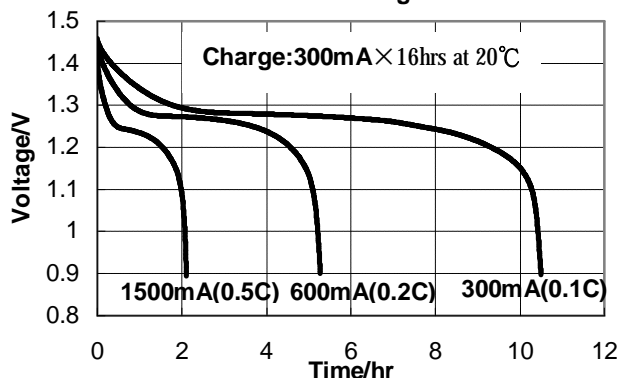


Type	: Rechargeable Nickel Metal Hydride Cylindrical Cell
Nominal Dimension (with Sleeve)	: $\Phi = 26.2\text{mm}$ H = 50.0mm
Applications	: Recommended discharge current 300mA to 3A
Nominal Voltage	: 1.2V
Capacity	: Nominal: 3000mAh Minimum: 3000mAh Typical: 3000mAh When discharged at 600mA to 1.0V at 20°C
Charging Condition	: 300mA for 16hrs at 20°C
Charge Retention	: 80% of nominal capacity after cell storage at 20°C for 24months When discharged at 600mA to 1.0V at 20°C
Fast Charge	: 1500mA to 3000mA (0.5 to 1C) charge termination control recommended control parameters: - ΔV : 0-5mV DT/dt : 0.8°C/min (0.5 to 0.9C) 0.8 - 1°C/min (>1C) TCO : 45 - 50°C Timer : 105% nominal input (for ref. only)
Service Life	: >1000 cycles (IEC standard)
Continuous Overcharge	: 300mA maximum current for 1 year. No conspicuous deformation and/or Leakage
Weight	: 70g
Internal Resistance	: Average 5m Ω upon fully charged (Range 3-8m Ω) at 1000Hz
Max. Charging Voltage	: 1.5V at 300mA charging
Ambient Temperature Range	: Standard Charge : 0 to 45°C Fast Charging : 10 to 45°C Discharge : -20 to 50°C Storage : -20 to 30°C

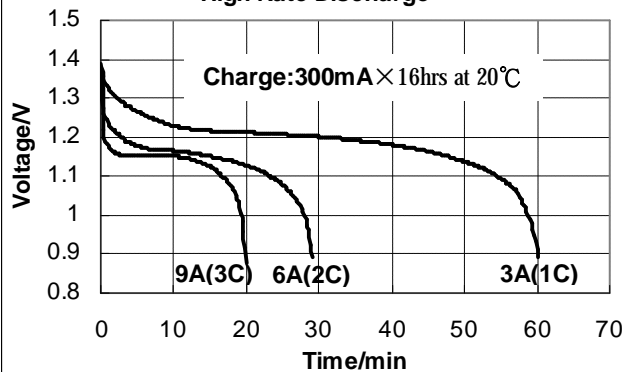
Model No.: GP300CHCB



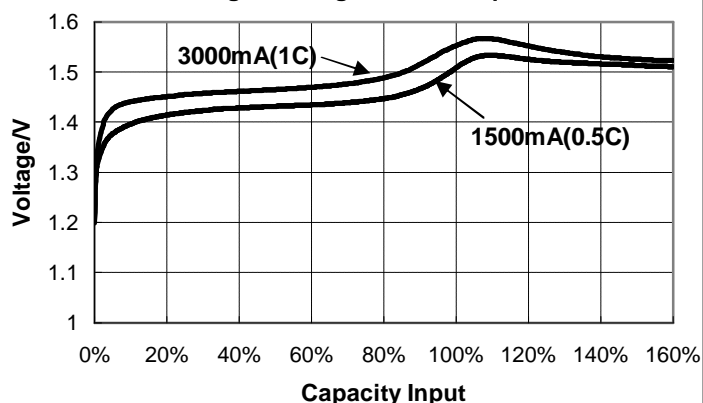
Low Rate Discharge



High Rate Discharge



Fast Charge (Charge Control required)



The information (subject to change without prior notice) contained in this document is for reference only and should not be used as a basis for product guarantee or warranty. For applications other than those described here, please consult your nearest GP Sales and Marketing Office or Distributors.

MRS6062rev01