

The first electronic quicktest with μm resolution and induction charging technology! New design and optimized ergonomics.

Kroepelin
Längenmesstechnik

Fast reading

Accurate measurement

Precise measuring results

- Quicktest in smallest design
 - Numerical interval
0,001/0,002/0,005/0,01 mm
 - Lower weight
 - Enhanced analog display for optimum reading:
 - 250° analog display range
 - long analog indicator
 - LiPo battery with induction charging technology!
Battery change is no longer required!
-
- Suitable for use with tablet computers and smartphones
 - No additional software necessary
 - Measuring programs for different applications
MIN/MAX/HOLD
 - Absolute and relative measurement
 - Bluetooth interface (up to 8 gauges simultaneously)
 - USB and Digimatic interface
 - Compatible to U-Wave®, Elias, BOBE, IBR
 - 20 % larger data logger (100 measuring values)
 - Adjustable tolerance range
 - Suitable for workshop use
 - Protection class IP67
 - mm/inch switch



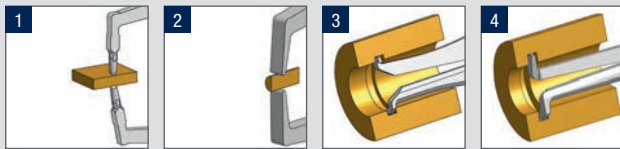
Can be connected
to any device using
Bluetooth.

WITH  **Bluetooth**
SMART

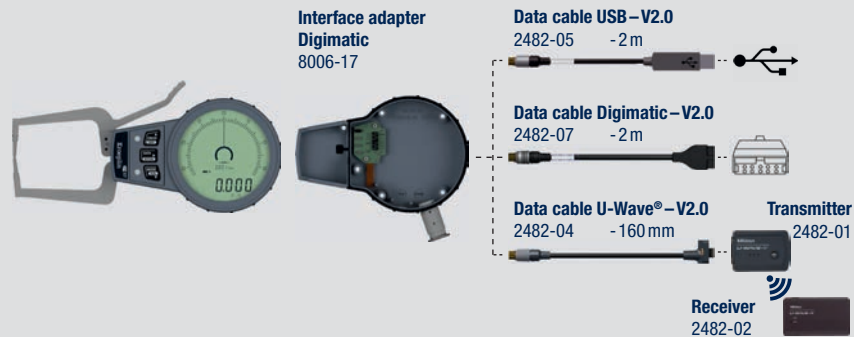
Technical specifications

Type	Measuring span Mes [mm]	Measuring range MeB [mm]	Range of indication AzB [mm]	Numerical interval Zw [mm]	Permissible errors G [mm]	Repeatability limit r [mm]	Measuring force min. [N]	Measuring force max. [N]	Weight [g]	Protection class	Measuring contact movable Hb [mm]	Measuring contact fixed Hf [mm]	Type of measuring contact [mm]	Groove depth A max. [mm]	Groove width B min. [mm]	Measuring depth L max. [mm]	Picture	Accessories and scope of supply
C015	15	0–15	0–15.5	0.001	0.010	0.005	1.3	1.5	170	IP67	17	17	Ball Ø 1.5	15	2.5	45	[1]	Accessories: Wooden box [1732-38] available on request
C015S	15	0–15	0–15.5	0.001	0.015	0.005	1.3	1.5	170	IP67	12	12	Chisel R0.4	11	1.5	45	[2]	
G002	10	2.5–12.5	2.4–12.8	0.001	0.010	0.005	0.8	1.3	160	IP67	0.9	0.9	Chisel R0.12	0.7	0.6	12	[3]	Scope of supply: Certificate of quality Operating instructions
G005	15	5–20	4.7–20.3	0.001	0.010	0.005	0.8	1.3	160	IP67	2.2	2.2	Ball Ø0.6	2.2	0.8	44	[4]	
G010	15	10–25	9.7–25.3	0.001	0.010	0.005	0.8	1.3	160	IP67	4.4	4.4	Ball Ø1	4	1.5	46	[4]	

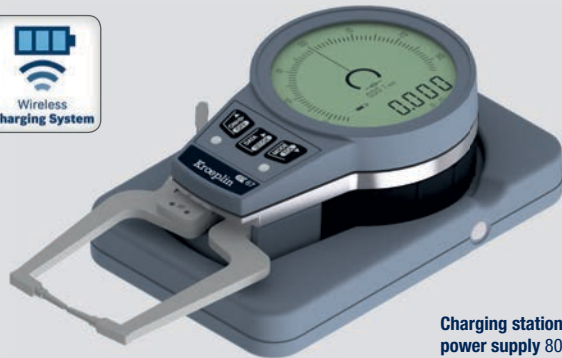
Measuring contacts



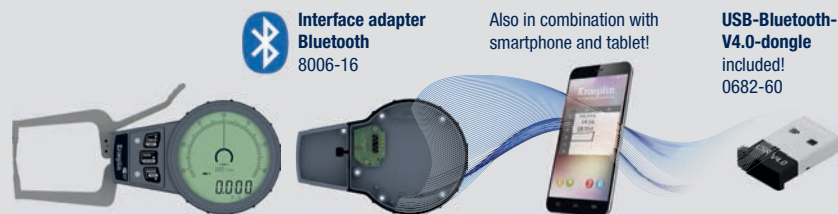
Interfaces



Wireless charging

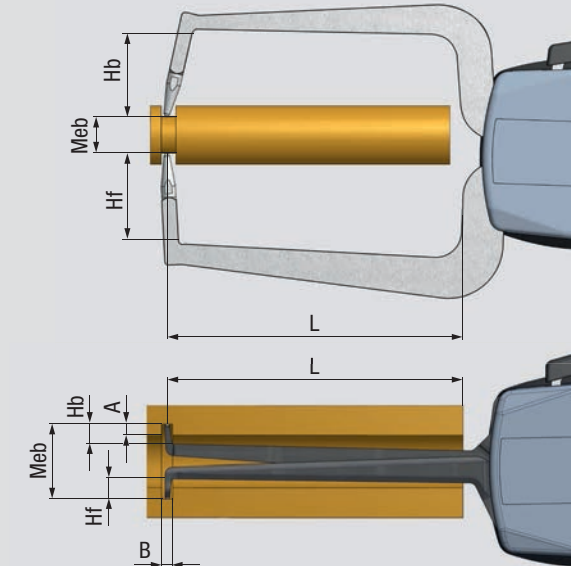


Charging station with power supply 8006-20



Simultaneous connection of up to 8 gauges possible

Measuring capacity



Hb Measuring contact movable
Hf Measuring contact fixed
L Measuring depth
MeB Measuring range
A Groove depth
B Groove width