

DIGITAL CALIPER

OPERATION INSTRUCTIONS

● OUTLINE

Digital Caliper is a type of length measuring tool, based on Capacitive Measuring System principle, to measure the relative movement distance between the two measuring jaws, and the measured value will be displayed on LCD.

Digital Caliper can do absolute measurement and relative measurement. Some digital calipers are with four-way measurements: internal measurement, external measurement, step measurement, and depth measurement.

● TECHNICAL SPECIFICATIONS

Resolution: 0.01mm/0.0005in

Repeatability: 0.01mm

Max. measuring speed: 1.5m/s

Power: 1pc silver oxide button battery, SR44W (1.5-1.6V)

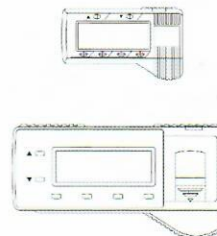
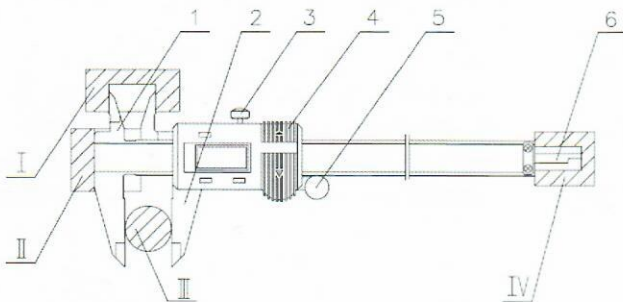
or 1pc Lithium button battery CR2032 (3V)

Working conditions: Temperature: 0 ~ +40°C

Relative humidity: ≤ 80%

Storage temperature: -20 ~ +70°C

● NOMENCLATURE



1. Internal measuring jaws

2. External measuring jaws

3. Locking screw

4. Data output

5. Fine adjustment

6. Depth measuring blade

Four-way measurements:

I. Internal measurement

II. Step measurement

III. External measurement

IV. Depth measurement

● FEATURES

1. For different functions and ranges, we have three-button type, four-button type, and six-button type digital calipers.

2. With fine adjustment for digital caliper range ≥ 150 mm.

3. With four-way measurements for digital caliper range ≤ 300 mm (except type III).

4. Made of stainless steel. Carbide tipped measuring faces are optional.

5. Manual power on/off.

6. Zero setting at any position.

7. Metric and Inch system conversion at any position

8. Data output.

● SPECIFICATIONS

Measuring range	Type	Function			Jaw width
0-75mm/3"	I				
0-100mm/4"					
0-150mm/6"	I, II, III	Water proof, ABS, MODE, TOL, HOLD	Three-button	Four-button	
0-200mm/8"					
0-300mm/12"					
0-500mm/20"	III, IV, V			Six-button	0.3937"
0-600mm/24"					0.3937"
0-800mm/32"					0.7874"
0-1000mm/40"					0.7874"
0-1500mm/60"					0.7874"
0-2000mm/80"					0.7874"
0-2500mm/100"					0.7874"
0-3000mm/120"					0.7874"

● BUTTON FUNCTIONS

1. ON/OFF button: Manual power on/off.
2. mm/in button: Metric and Inch system conversion.
3. ZERO/0 button: Zero setting.
4. HOLD button: Data holding.

Press HOLD button once and the displayed value will be holding. Press this button once again and the data holding will be released.

5. TOL button: Tolerance presetting and measuring.
6. ABS/INC button: Absolute/Relative Measurement conversion.
7. SET button: Data presetting.

With one press on SET button, the preset data "0" will be displayed. Press SET button and "▼" or "▲" simultaneously, the word "SET" will flash on the upper side of the LCD screen, showing it's ready for presetting data. Keep pressing on "▼" or "▲" button alone, the numerical value will decrease or increase continuously to the value you want. Then release the pressing. Press SET button alone once, and the word "SET" will disappear, which means the presetting is finished.

● INSTRUCTIONS

1. Before using the Digital Caliper, the slider can be moved only after the locking screw is loosened.
2. Before measuring, clean all the measuring faces and surfaces with dry and clean cloth (or soaked with cleaning oil). No organic solutions are allowed.
3. Before measuring, press all the buttons to check if they work properly. Check if the displayed value is stable and clear.
4. When measuring, keep the scale and measuring faces dry and clean. Keep the digital caliper from water or other liquid.
5. When all the digits keep flashing simultaneously, or there is no display after switching on, please replace the battery with a new one.
6. Never apply voltage or engrave with an electric pen on any part of the Digital Caliper for fear of damaging the electronic parts.
7. When the data output interface is not in use, do not take off its cover. Do not use metal devices to touch the data output interface for fear of damaging the electronic parts.
8. If the display value doesn't change when moving the slider (fixed digits when no pressing HOLD button), it's an accidental trouble in circuit. Take out the battery and reset it after 2-3 minutes.