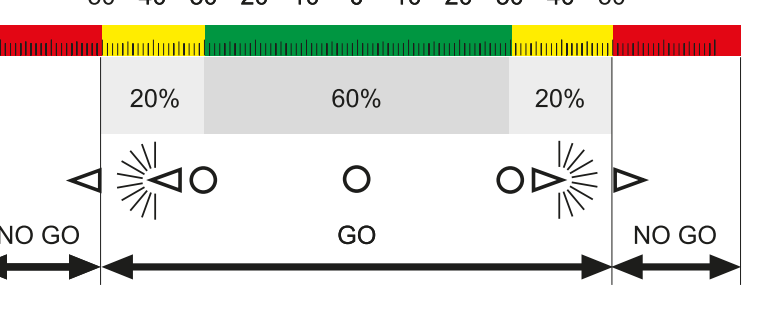




8.4 TOL

8.4 TOL content in multiple languages. Includes icons for tolerance limits and text describing 'Tolerance and warning limits display'.

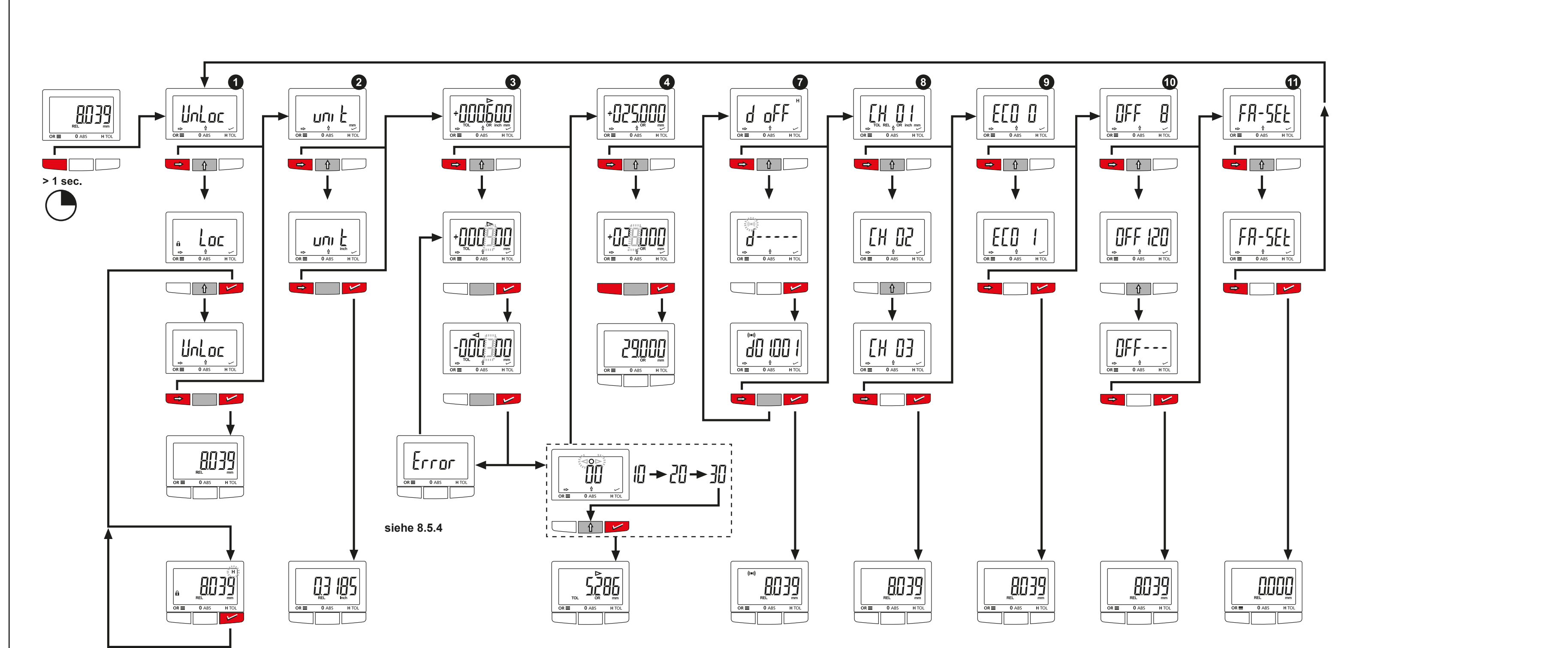


8.5 MENÜ

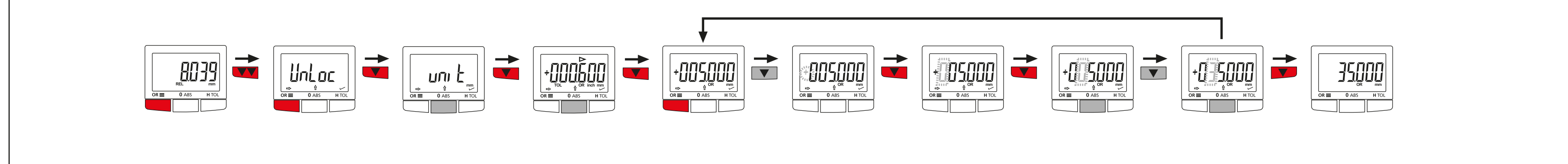
8.5.1 Navigation in the menu, setting of parameters. Includes instructions in multiple languages for navigating the menu.

8.5.2 Menu functions. Lists functions like unLoc/Loc, CH 01, ECO Mode, OFF 8, and FA-SET in multiple languages.

8.5.3 Strukturdiagramm der Menüfunktionen. A table showing the relationship between menu items 1-11 and their respective functions.



8.5.4 PRESET-Wert eingeben



9. Displaymeldungen

9. Display Messages. Includes error messages like 'Error', 'LOC / operating key locked', and 'Battery-Symbol' in multiple languages.

Bestätigung der Rückführbarkeit. Confirmation of traceability in multiple languages.

Entsorgungshinweise. Notes for disposal in multiple languages. Includes a recycling symbol and instructions.

EU-Konformitätserklärung. EU Declaration of Conformity in multiple languages, including the CE mark.

Mahr Micromar 40 EWR(i) product information. Includes the Mahr logo, product name, and contact details.

Änderungen an unseren Erzeugnissen... Bedienungsanleitung... We reserve the right to make changes to our products...

Nous nous réservons le droit de modifier l'exécution de tous nos appareils... Questa riservato el derecho de modificaciones en nuestros productos...

Ci riserviamo il diritto di modificare i ns. prodotti in funzione delle evoluzioni tecniche. Le caratteristiche tecniche e le illustrazioni sono solo a titolo indicativo.

Table with 10 columns and 2 rows, likely a product specification or compatibility matrix.