

# Micromar 40 EWRi-K

Digital micrometer



REFERENCE

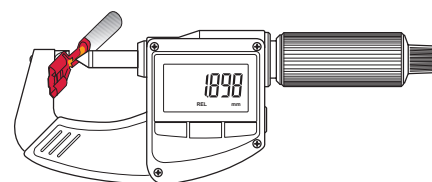
## FUNCTIONS

- RESET (set display to zero)
- ABS (display can be set to zero without losing reference to ORIGIN)
- mm/inch
- ORIGIN (for entering a numerical value)
- LOCK function (key lock)
- TOL (Tolerance and warning limits)
- HOLD (storage of measured values)
- DATA (data transmission)
- Bi-directional data interface (external input option of characteristic values and setting of individual lock functions by software MarCom)



Application:

For measuring crimp heights



## FEATURES

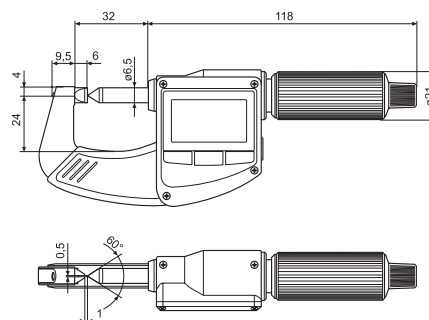
- **Measuring surfaces:** Anvil with narrow web, pointed spindle
- High contrast analog display
- Stainless spindle is hardened throughout and ground
- Spindle and anvil are carbide tipped
- Rapid drive
- Ratchet is integrated in the thimble
- Lacquered steel frame, heat insulated
- **Software:** MarCom Professional free download: [www.mahr.com/marcom](http://www.mahr.com/marcom) (only for Mahr data cables and wireless systems with USB and RS232 interface)
- **Digit height:** 10 mm
- **Data interface:** Integrated wireless
- **Energy supply:** Battery life approx. 2 years
- **IP protection category:** IP 65
- **Package contains:** instruction manual, battery, case

## TECHNICAL DATA

Order no.	Type	Measuring range	Measuring surface	Resolution	Error limit	Spindle thread pitch	Measuring force	Standard
4157140	40 EWRi-K	0 – 20 mm	carbide	0,001 / .00005"	4 µm	0,5 mm	5 – 10 N	Factory standard

Order no.	a	b	c
	mm	mm	mm
4157140	23	9,5	31,5

40 EWR(i)-K



## ACCESSORIES

Order no.	Description	Type
4102520	Battery 3 V, CR 2032	
4102603	Data cable USB bi-directional (2 m)	DK-U1
4102606	Digimatic data cable (2 m)	DK-D1
4158000	Stand, for holding outside micrometers	41 H



41 H