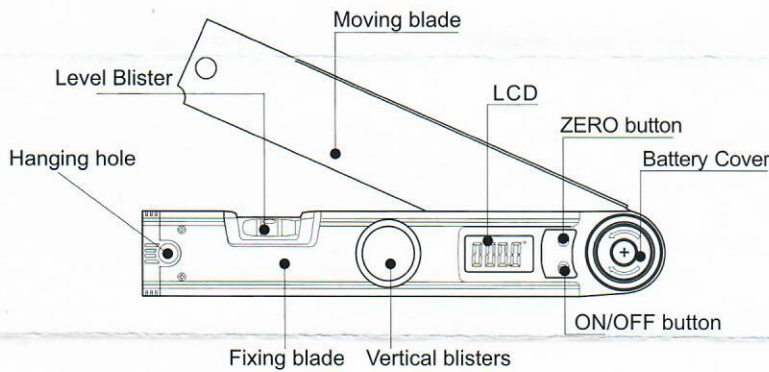


DIY DIGITAL ANGLE FINDER INSTRUCTION

APPEARANCE



Technical Specifications	
Measuring range	0.0° ~ 225.0°
Resolution	0.1°
Accuracy	±0.3°
Battery	3V lithium battery
Working temperature	0°C ~ +40°C
Working humidity	≤85%RH
Temperature of transport & storage	-10°C ~ +50°C

Function

ON/OFF: Short press to power-on or screen-off.
Long press to power-off

ZERO : zero reset at any position.

*Battery

- To install or replace battery, push the battery cover and rotate it according to the OPEN indicator by using your middle finger and index finger. Then the cover could be removed.
- Replace or install CR2032 3V Lithium Battery. Please make sure the negative pole and positive pole in the right side.
- Put the battery cover back to the battery case correctly. Push and rotate the battery cover according to the CLOSE indicator.

APPLICATION

- Angle measurement in Construction, woodworking, machining, household DIY application
- Conversion between absolute measurement and relative measurement. Large LCD display. Easy operation.
- Easy to measure all kinds of angle including slope, level, vertical and draw lines. Portable and

FUNCTION INSTRUCTION

- Automatically shuts off LCD after 5 minutes inactivity.
- Move the scale or press ON/OFF to turn on LCD while LCD is off.
- Same ZERO position after LCD turns on again as before LCD shuts off.
- All data reset automatically after power off.

OPERATION INSTRUCTION

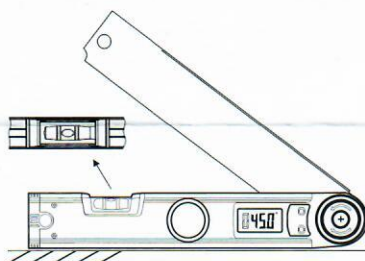
Absolute Angle Measurement

- Move the moving blade and make it tightly lean on the fixed blade. Then press ZERO to reset the device.
- If $13^\circ < \text{measured angle} < 180^\circ$, use the top surface of fixed blade and bottom edge of moving blade to measure target angle. The value shows on LCD.
- If $180^\circ \leq \text{measured angle} < 225^\circ$, use the bottom surface of fixed blade and top edge of moving blade to measure target angle. The value shows on LCD.

Relative Angle Measurement

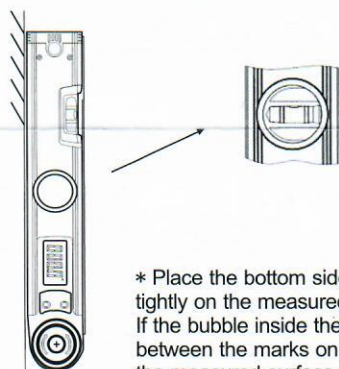
- Adjust the position of fixed blade and moving blade to one measure angle ($13^\circ < \text{measured angle} < 180^\circ$). Press ZERO to reset the device.
- Use the top surface of fixed blade and bottom edge of moving blade to measure the other angle ($13^\circ < \text{measured angle} < 180^\circ$). The difference between the two angles shows on LCD.
- If $180^\circ \leq \text{measured angle} < 225^\circ$, please refer to the method of absolute angle measurement.

Horizontal Measurement



* Place fixed blade on the measured surface. If the bubble inside the vial stays between the marks on the vial's surface, the measured surface is horizontal.

Vertical Measurement



* Place the bottom side of fixed blade tightly on the measured surface. If the bubble inside the vial stays between the marks on the vial's surface, the measured surface is vertical.

Trouble shooting

Problem	Possible cause	Solution
1.No display, fuzzy display or disordered display	No battery, wrong battery installation or low battery	Install battery again or replace battery
2.Flashing digits	Low battery	Replace battery
3.Erract or frozen display	Internal error	Remove battery and replace battery after waiting 1 minute

MAINTENANCE

- Not clear the device with organic solvent. Prevent from water and corrosion.
- This is a sensitive precision tool and should be prevented from crash. If there is any abrasion or accident during using, please reset ZERO before a new measurement. Clean the device with damp cloth.
- The device must be stored indoor (temperature -10 °C~+50 °C, humidity≤85%).